

INDUSTRIAL LIGHTING LUMINAIRE SERIESSES HIGH BAY LIGHTING

SELI

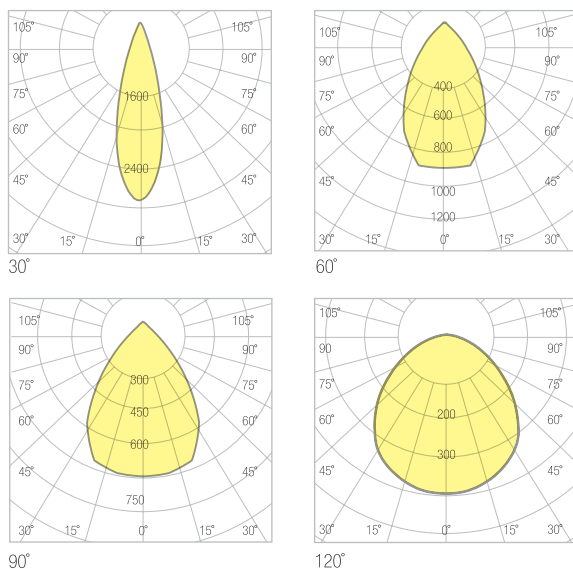


Technical Specifications

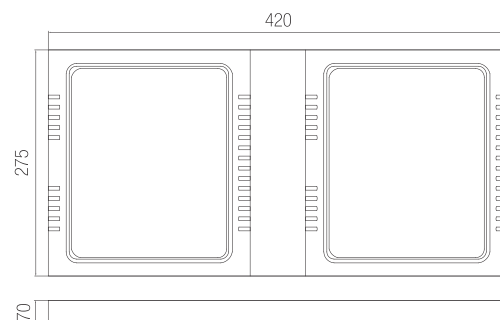
Housing	: Aluminum Injection
Light Source	: Power Led / Mid Power Led
Input Voltage	: 220-240V AC 50/60Hz
CRI	: >80
IP	: IP66
Diffuser	: Tempered Glass / Polycarbonate
Colour Temperature	: 3000K / 4000K / 5000K / 6500K
Operating Temperature	: -40°C ... +55°C
Optic	: 12°/25°/30°/45°/60°/90°/120°/ASYM
Weight	: 7,8kg
Ral Code	: Ral 7035

POWER	STANDARD LUMEN	PRO SERIES LUMEN
100W	12.456lm	14.100lm
125W	16.525lm	17.725lm
150W	19.905lm	21.285lm
180W	23.814lm	25.524lm
200W	26.240lm	28.440lm

Photometric Data



Technical Drawing



Dimensions (mm)

a	b	c
420mm	275mm	70mm

Options

Driver	: Dali / 1-10V
Emergency Kit	: 1 hr/ 3 hr

Technical values have ±5% tolerance.